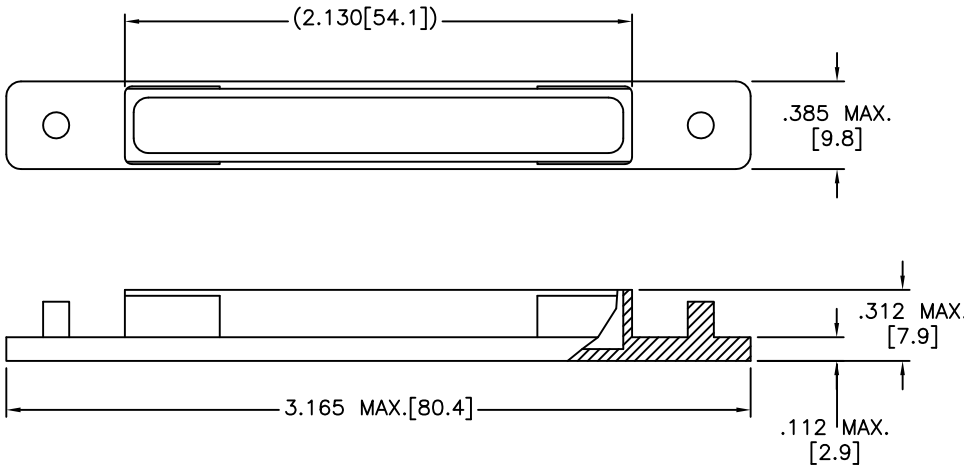


THIS DRAWING AND THE INFORMATION SET FORTH HEREON ARE THE PROPERTY OF TYCO ELECTRONICS CORPORATION AND ARE TO BE HELD IN TRUST AND CONFIDENCE. PUBLICATION, DUPLICATION, DISCLOSURE OR USE FOR ANY PURPOSE NOT EXPRESSLY AUTHORIZED IN WRITING BY TYCO ELECTRONICS CORPORATION IS PROHIBITED.

REVISIONS			
LTR	DESCRIPTION	DATE	APPROVED
N/C	INITIAL RELEASE	10-17-77	CRN
B	REV A SKIPPED TO MATCH PD, PER ECO-10-022852	Nov/8/2010	M.HIGGY

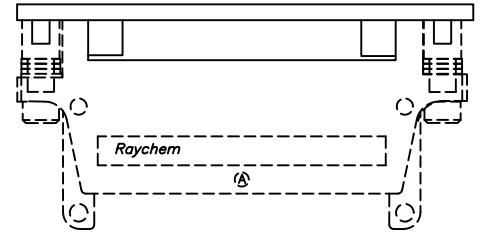


Raychem

NOTES:

1. THIS PART IS USED WITH MTC SERIES 2 INCH RECEPTACLE CONNECTORS.
2. MATERIAL: PETROTHENE NA860008
LDPE POLYETHYLENE RESIN
COLOR RED.
3. WEIGHT: 0.004 Lbs. [1.95 grm.] MAXIMUM.

VIEW SHOWING TYPICAL
INSTALLATION



RECEPTACLE CONNECTOR

If this document is printed it becomes uncontrolled. Check for the latest revision

©2010 Tyco Electronics Corporation. All rights reserved.

CUSTOMER DRAWING

UNLESS OTHERWISE SPECIFIED DIMENSIONS ARE IN INCHES. METRIC DIMENSIONS ARE IN BRACKETS.

DECIMALS
 .XXX ± 0.005 [0.13 mm]
 .XX ± [mm]
 .X ± [mm]

ANGLES
 .X ±

DRAWN	ZSOFIA.ORBAN	Oct/26/2010
CHECKED		
APPROVED	M.HIGGY	Oct/26/2010
FINISH:	AS MOLDED	
CAD NAME:	D-659-0061	
THIRD ANGLE PROJECTION		

		Raychem Interconnect 300 Constitution Drive Menlo Park, CA 94025 U.S.A.	
TITLE CAP, DUST, 2 INCH RECEPTACLE MTC SERIES CONNECTOR POLYETHYLENE LOW DENSITY, RED			
SIZE	CAGE CODE:	DWG. NO.	REV:
A	06090	D-659-0061	B
SCALE: NONE			SHEET 1 OF 1